



Fantech

*Trust the
Industry
Standard!*

Improved UV resistance!

HP Series Fans for Radon Applications

Why put your reputation at stake by installing a fan you know won't perform like a Fantech? For nearly fourteen years, Fantech has manufactured quality ventilation equipment for radon applications. Fantech is the fan radon contractors have turned to in over 1,000,000 successful radon installations worldwide.

Fantech HP Series Fans Provide the Solutions to meet the challenges of radon applications:

HOUSING

- UV resistant, UL listed durable plastic
- UL Listed for use in commercial applications
- Factory sealed to prevent leakage
- Watertight electrical terminal box
- Approved for mounting in wet locations - i.e. Outdoors

MOTOR

- Totally enclosed for protection
- High efficiency EBM motorized impeller
- Automatic reset thermal overload protection
- Average life expectancy of 7-10 years under continuous load conditions



RELIABILITY

- Five Year Full Factory Warranty
- Over 1,000,000 successful radon installations worldwide





HP Series Fans are specially designed with higher pressure capabilities for radon mitigation applications

Fantech has developed the HP Series fans specifically to suit the higher pressure capability requirements needed in radon mitigation applications. Most radon mitigators who previously used the Fantech FR Series fans have switched to the new HP Series.



Performance Data

Fan Model	Volts	Wattage Range	Max. Amps	CFM vs. Static Pressure in Inches W.G.								Max. Ps
				0"	0.5"	0.75"	1.0"	1.25"	1.5"	1.75"	2.0"	
HP2133	115	14 - 20	0.17	134	68	19	-	-	-	-	-	0.84
HP2190	115	60 - 85	0.78	163	126	104	81	58	35	15	-	1.93
HP175	115	44 - 65	0.57	151	112	91	70	40	12	-	-	1.66
HP190	115	60 - 85	0.78	157	123	106	89	67	45	18	1	2.01
HP220	115	85 - 152	1.30	344	260	226	193	166	137	102	58	2.46



Performance Curves

Fantech provides you with independently tested performance specifications.

The performance curves shown in this brochure are representative of the actual test results recorded at Texas Engineering Experiment Station/Energy Systems Lab, a recognized testing authority for HVI. Testing was done in accordance with AMCA Standard 210-85 and HVI 915 Test Procedures. Performance graphs show air flow vs. static pressure.

Use of HP Series fans in low resistance applications such as bathroom venting will result in elevated sound levels. We suggest FR Series or other Fantech fans for such applications.

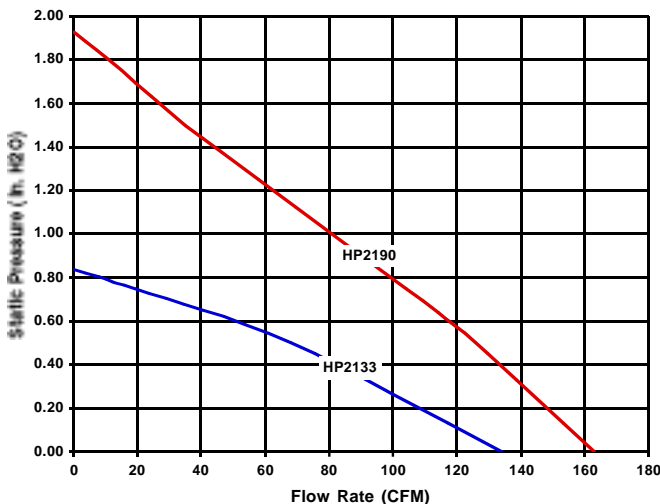


HP FEATURES INCLUDE:

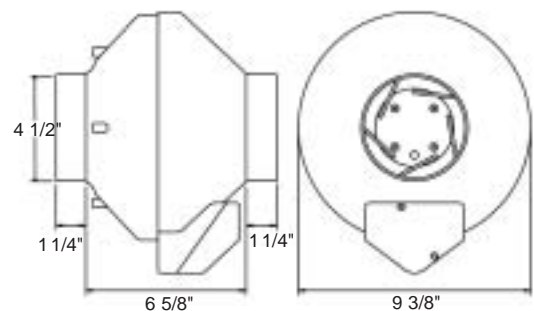
- Improved UV resistant housings approved for commercial applications.
- UL Approved for Wet Locations (Outdoors)
- Sealed housings and wiring boxes to prevent Radon leakage or water penetration
- Energy efficient permanent split capacitor motors
- External wiring box



HP2133 and 2190 Radon Mitigation Fans



Tested with 4" ID duct and standard couplings.



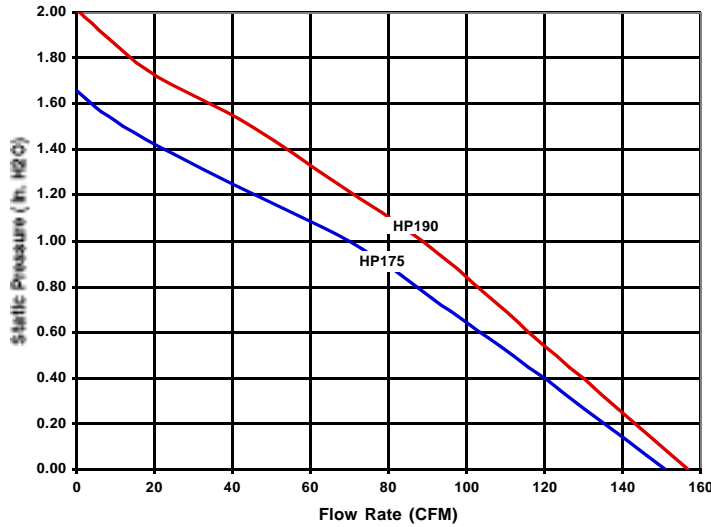
HP2133 – For applications where lower pressure and flow are needed. Record low power consumption of 14-20 watts! Often used where there is good sub slab communication and lower Radon levels.

HP2190 – Performance like the HP190 but in a smaller housing. Performance suitable for the majority of installations.

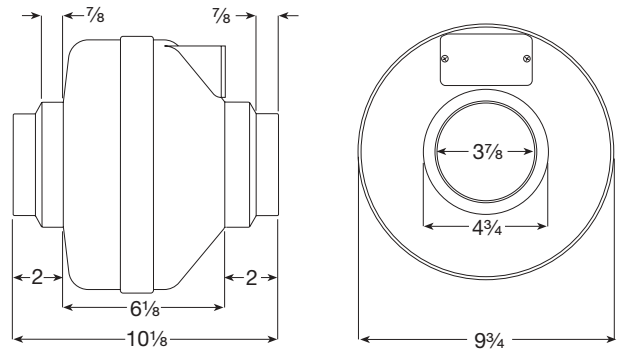
Fans are attached to PVC pipe using flexible couplings.

For 4" PVC pipe use Indiana Seals #156-44, Pipeconx PCX 56-44 or equivalent.
For 3" PVC pipe use Indiana Seals #156-43, Pipeconx PCX 56-43 or equivalent.

HP175 and HP190 Radon Mitigation Fans



Tested with 4" ID duct and standard couplings.

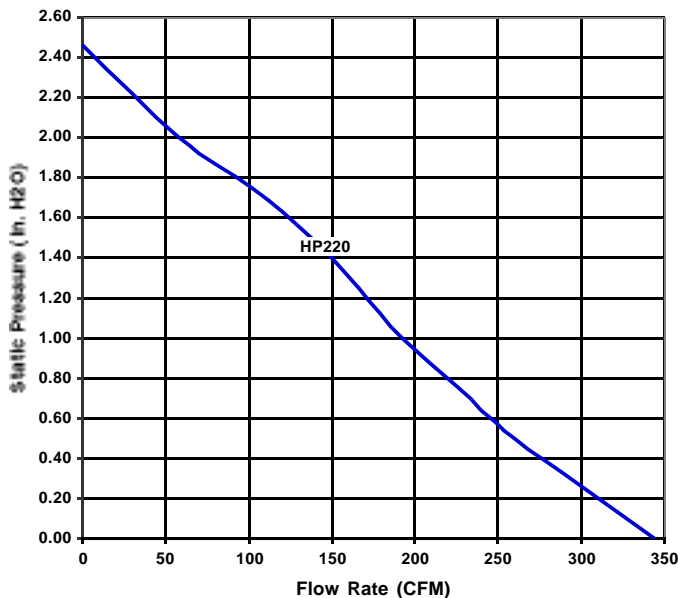


HP175 – The economical choice where slightly less air flow is needed. Often used where there is good sub slab communication and lower Radon levels.

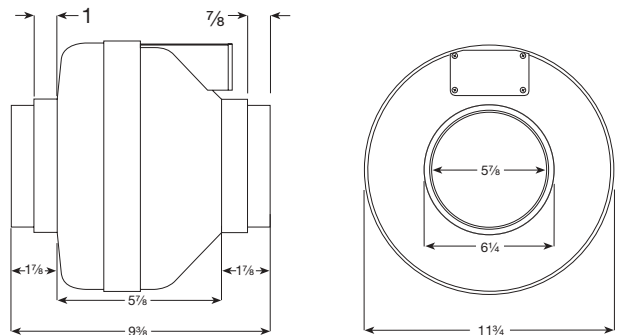
HP190 – *The standard for Radon Mitigation.* Ideally tailored performance curve for a vast majority of your mitigations.

Fans are attached to PVC pipe using flexible couplings.
 For 4" PVC pipe use Indiana Seals #151-44, Pipeconx PCX 51-44 or equivalent.
 For 3" PVC pipe use Indiana Seals #156-43, Pipeconx PCX 56-43 or equivalent.

HP220 Radon Mitigation Fan



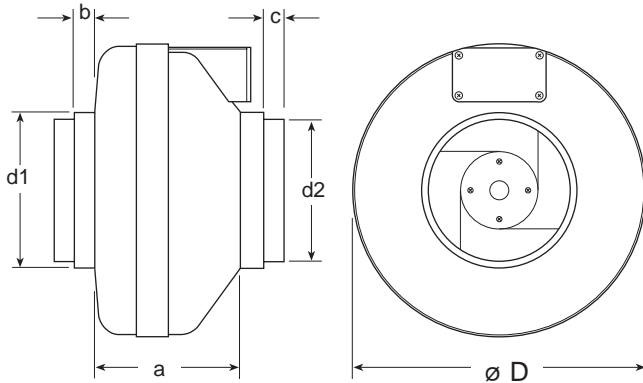
Tested with 6" ID duct and standard couplings.



HP 220 – Excellent choice for systems with elevated radon levels, poor communication, multiple suction points and large subslab footprint. Replaces FR 175.

Fans are attached to PVC pipe using flexible couplings.
 For 4" PVC pipe use Indiana Seals #156-64, Pipeconx PCX 56-64 or equivalent.
 For 3" PVC pipe use Indiana Seals #156-63, Pipeconx PCX 56-63 or equivalent.

The Original Mitigator – Fantech's FR Series Fans



Dimensional Data

model	øD	d1	d2	a	b	c
FR100	9 1/2	3 7/8	4 7/8	5 1/4	7/8	7/8
FR110	9 1/2	3 7/8	4 7/8	5 1/4	7/8	7/8
FR125	9 1/2	—	4 7/8	5 1/4	7/8	—
FR140	11 3/4	5 7/8	6 1/4	5 7/8	1	7/8
FR150	11 3/4	5 7/8	6 1/4	5 7/8	1	7/8
FR160	11 3/4	5 7/8	6 1/4	6 3/8	1	7/8
FR200	13 1/4	7 7/8	9 7/8	6 1/4	1 1/2	1 1/2
FR225	13 1/4	7 7/8	9 7/8	6 1/4	1 1/2	1 1/2
FR250	13 1/4	—	9 7/8	6 1/4	—	1 1/2

All dimensions in inches



Performance Data

Fan Model	Max. RPM	Volts	Wattage Range	Max. Amps	CFM vs. Static Pressure in Inches W.G.							Max. Ps	Duct Dia.
					0"	0.2"	0.4"	0.6"	0.8"	1.0"	1.5"		
FR100	2865	115	33-42	0.44	108	100	72	54	19	—	—	.86"	4"
FR110	2761	115	58-75	0.67	167	150	133	113	88	63	4	1.60"	4"
FR125	2859	115	38-47	0.47	131	120	88	62	14	—	—	.82"	5"
FR140	2832	115	45-60	0.52	214	190	162	132	99	46	—	1.15"	6"
FR150	2411	115	73-90	0.78	243	220	196	170	142	114	18	1.56"	6"
FR160	2539	115	98-124	1.09	289	260	233	206	179	154	89	2.32"	6"
FR200	2507	115	102-123	1.07	408	360	308	259	213	173	72	2.14"	8"
FR225	2964	115	105-144	1.28	429	400	366	332	297	260	168	2.48"	8"
FR250	2817	115	127-230	2.08	563	600	493	456	419	381	294	2.95"	10"

FR Series performance is shown with ducted outlet. Per HVI's Certified Ratings Program, charted air flow performance has been derated by a factor based on actual test results and the certified rate at .2 inches WG.

Five (5) Year Warranty

THIS WARRANTY SUPERSEDES ALL PRIOR WARRANTIES

FOR FACTORY RETURN YOU MUST:

- 1) Have a Return Materials Authorization (RMA) number. This number may be obtained by calling FANTECH, INC. at 1-800-747-1762. Please have Bill of Sale available.
- 2) The RMA number must be clearly displayed on the outside of the carton, or delivery will be refused.
- 3) All product being returned must be shipped prepaid and be accompanied with a copy of the Bill of Sale.
- 4) Product will be replaced/repaired and shipped back to buyer. No credits will be issued.

DURING THE FIRST THIRTY (30) DAYS:

FANTECH, INC. will replace any product which has a factory defect in workmanship or material. Product may be returned to either the point of purchase or the FANTECH factory, together with Bill of Sale, for an immediate replacement.

DURING THE FIRST THREE (3) YEARS: (excluding the above 30 day period)

FANTECH, Inc. will replace any product which has a factory defect in workmanship or material. Product must be returned to the FANTECH factory, together with Bill of Sale, and identified with an RMA number.

DURING YEARS FOUR (4) and FIVE (5):

FANTECH, INC. will repair or replace any product which has a factory defect in workmanship or material. Product must be returned to the Fantech FACTORY, together with a Bill of Sale, and identified with an RMA number.

THE FOLLOWING WARRANTIES DO NOT APPLY:

Damages from shipping, either concealed or visible. Claim must be filed with the carrier.

Damages resulting from improper wiring or installation.

Damages caused by acts of nature, or resulting from improper consumer procedures such as:

- Improper Maintenance,
- Misuse, abuse, abnormal use, or accident, or
- Incorrect electrical voltage or current.

Removal or alterations made on the FANTECH label control number or date of manufacture.

Any other warranty, expressed, written or implied, and to any consequential or incidental damages, loss of property, revenues, or profit, or costs of removal, installation or reinstallation, for any breach of warranty.

WARRANTY VALIDATION:

The end user must keep a copy of the Bill of Sale to verify purchase date.



1712 Northgate Blvd.
Sarasota, Florida 34234
Phone: 800-747-1762
Fax: 800-487-9915
Phone: 941-309-6000
Fax: 941-309-6099
www.fantech-us.com
e-mail: info@fantech-us.com

Distributed by: